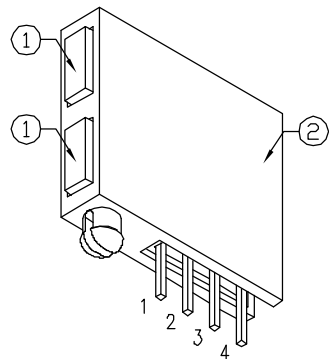
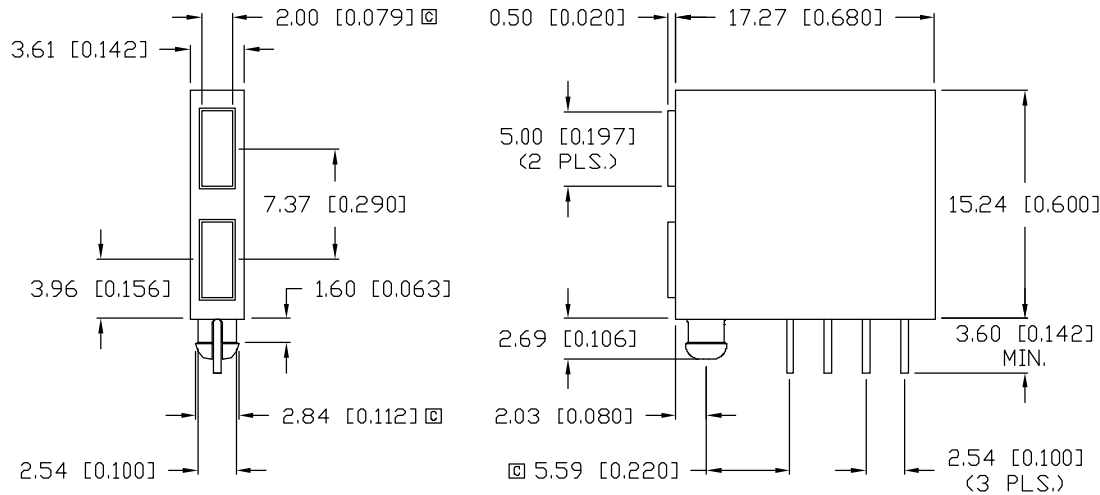


UNCONTROLLED DOCUMENT

PART NUMBER  
SSF-LXH22573IID

REV.  
D

| REV. | E.C.N. NUMBER AND REVISION COMMENTS | DATE    |
|------|-------------------------------------|---------|
| A    | UPDATED SAFE OPER SPECS.            | 9.12.95 |
| B    | E.C.N. #10336.                      | 4.22.97 |
| C    | E.C.N. #10520.                      | 6.8.99  |
| D    | E.C.N. #10BRDR. & REDRAWN.          | 5.10.01 |



- LEADS:
1. RED ANODE.
  2. RED CATHODE.
  3. RED ANODE.
  4. RED CATHODE.

ELECTRO-OPTICAL CHARACTERISTICS  $T_A=25^{\circ}\text{C}$   $I_f=$

| PARAMETER          | MIN          | TYP       | MAX | UNITS      | TEST COND            |
|--------------------|--------------|-----------|-----|------------|----------------------|
| PEAK WAVELENGTH    |              | 635 (RED) |     | nm         |                      |
| FORWARD VOLTAGE    |              | 2.0       | 2.5 | $V_f$      |                      |
| REVERSE VOLTAGE    | 5.0          |           |     | $V_r$      | $I_r=100\mu\text{A}$ |
| AXIAL INTENSITY    |              | 10        |     | mcd        | $I_f=$               |
| VIEWING ANGLE      |              | 110       |     | $2x$ theta |                      |
| EMITTED COLOR:     | RED          |           |     |            |                      |
| EPOXY LENS FINISH: | RED DIFFUSED |           |     |            |                      |

LIMITS OF SAFE OPERATION AT  $25^{\circ}\text{C}$  PER CHIP

| PARAMETER                        | MAX        | UNITS                  |
|----------------------------------|------------|------------------------|
| PEAK FORWARD CURRENT*            | 150        | mA                     |
| STEADY CURRENT                   | 30         | mA                     |
| POWER DISSIPATION                | 105        | mW                     |
| DERATE FROM $25^{\circ}\text{C}$ | -1.2       | mW/ $^{\circ}\text{C}$ |
| OPERATING, STORAGE TEMP.         | -40 TO +85 | $^{\circ}\text{C}$     |
| SOLDERING TEMP.                  | +260       | $^{\circ}\text{C}$     |
| 2.0mm FROM BODY                  |            | 3 SEC. MAX             |

\*  $t < 10\mu\text{s}$

- NOTES:
1. SSL-LX2573ID, RED LED (2 PCS.).
  2. SSH-LXH22573 HOLDER, BLACK.

UNCONTROLLED DOCUMENT

\*UNLESS OTHERWISE SPECIFIED TOLERANCES PER DECIMAL PRECISION ARE: X=±1 (±0.039), X.X=±0.5 (±0.020), X.XX=±0.25 (±0.010), X.XXX=±0.127 (±0.005). LEAD SIZE=±0.05 (±0.002), LEAD LENGTH=±0.75 (±0.030). MIN.= +DECIMAL PRECISION MAX.= +0.00 -DECIMAL PRECISION

|  |                                |
|--|--------------------------------|
| REV.<br>D  | PART NUMBER<br>SSF-LXH22573IID |
| 2mm x 5mm PIGGYBACK RIGHT ANGLE INDICATOR,<br>TWO 635nm RED LEDS, RED DIFFUSED LENS. |                                |

**CONFIDENTIAL INFORMATION**  
THE INFORMATION CONTAINED IN THIS DOCUMENT IS THE PROPERTY OF LUMEX INC. EXCEPT AS SPECIFICALLY AUTHORIZED IN WRITING BY LUMEX INC., THE HOLDER OF THIS DOCUMENT SHALL KEEP ALL INFORMATION CONTAINED HEREIN CONFIDENTIAL AND SHALL PROTECT SAME IN WHOLE OR IN PART FROM DISCLOSURE AND DISSEMINATION TO ALL THIRD PARTIES.

**RELIABILITY NOTE**  
OUR MANY YEARS OF EXPERIENCE DATA ACCUMULATION INDICATE THAT SOLDER HEAT IS A MAJOR CAUSE OF EARLY AND FUTURE FAILURE. PLEASE PAY ATTENTION TO YOUR SOLDERING PROCESS.

290 E. HELEN ROAD  
PALATINE, IL 60067-6976  
PHONE: +1.847.359.2790  
US WEB: www.lumex.com  
TW WEB: www.lumex.com.tw

|                 |             |              |              |
|-----------------|-------------|--------------|--------------|
| DRAWN BY:<br>CT | CHECKED BY: | APPROVED BY: | DATE: 9.8.93 |
|                 |             |              | PAGE: 1 OF 1 |
|                 |             |              | SCALE: N/A   |